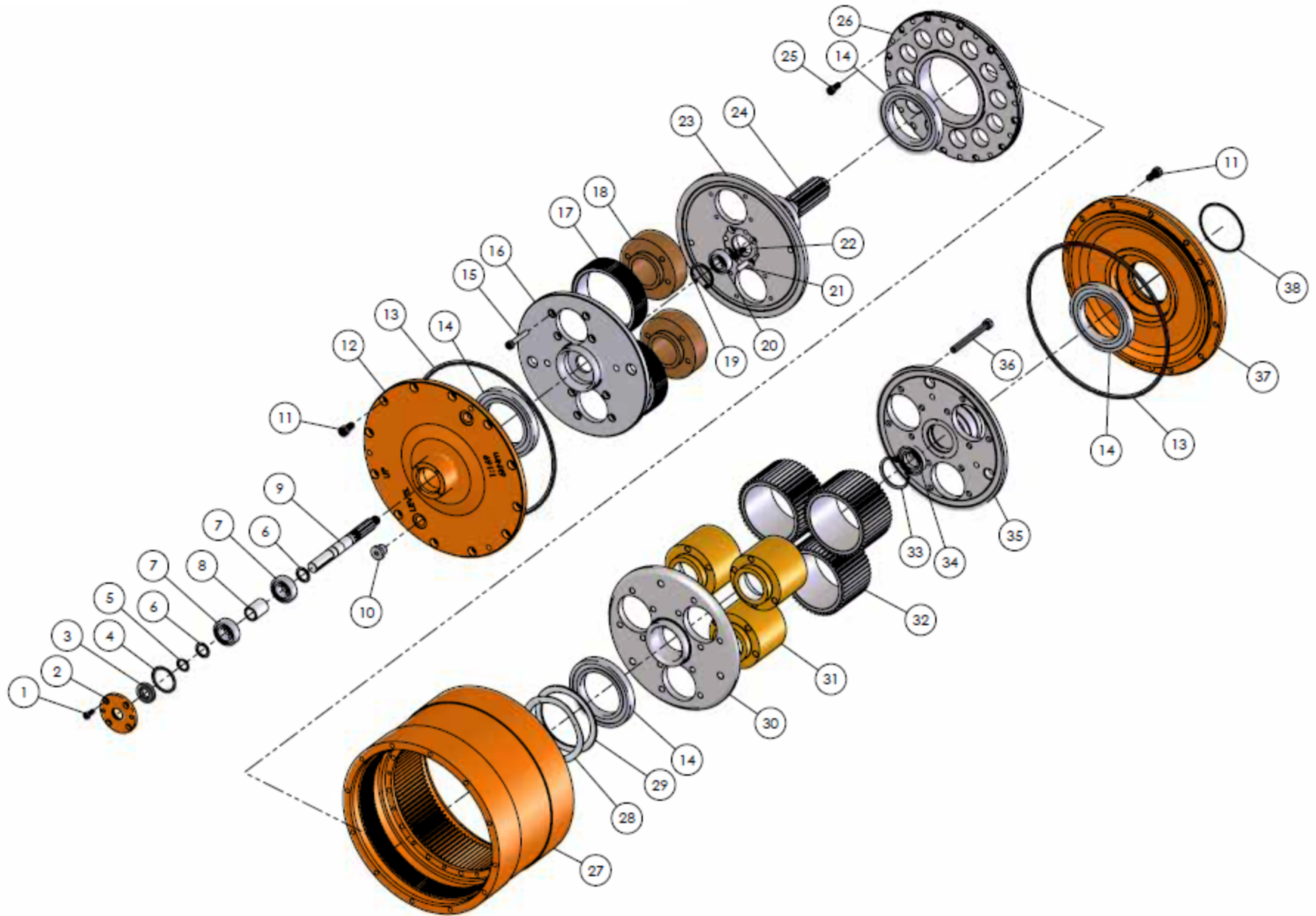


* Rev Tech LC is an independent centrifuge gearbox part supplier for various OEM companies and is not affiliated with these OEM companies.



Item #	Part #	Description	Qty	Item #	Part #	Description	Qty
1	270100	SHCS 6-1.25 x 16	4	21	272104	Dowel Pin 3/8" x 1-1/8"	4
2	270200	Seal Cap	1	22	272200	SHCS 8m-1.25 x20	4
3	270300	Oil Seal	1	23	272100	1st Stage Inner Plate w/2nd Stage Pinion	1
4	270400	O'Ring H3 X 43	1	24	272102	2nd Stage Pinion	1
5	270500	Snap Ring	2	25	272200	SHCS 8m-1.25 x 20	12
6	270900	Spacer	2	26	272300	Center Plate	1
7	271300	Bearing 6204	2	27	272600	Ring Gear	1
8	270800	Spacer	1	28	272500	Wavy Washer	2
9	270600	1st Stage Pinion	1	29	272400	Spacer	1
10	160900	Oil Plug	2	30	272700	2nd Stage Outer Plate	1
11	271100	SHCS 10m-1.5 x 20	24	31	272900	2nd Stage Journal	3
12	271200	Outside Cover	1	32	272800	2nd Stage Planet Gear	3
13	271400	O'Ring 5.7 X 291.2	2	33	273000	Snap Ring	1
14	270700	Bearing 16017	4	34	273100	Bearing 16006	1
15	271500	SHCS 8m-1.25 x 50	8	35	273200	2nd Stage Inner Plate w/Spline	1
16	271600	1st Stage Outer Plate	1	36	273300	SHCS 10m-1.25 x 100	12
17	271700	1st Stage Planet Gear	2	37	273400	Inside Cover	1
18	271900	1st Stage Journal	2	38	273500	O'Ring 5.7 X 83	1
19	271800	Snap Ring	1	39	274000	6.0 Clutch	1
20	272000	Bearing 6302	1	40-A	274100	Drive Shaft (944)	1
				40-B	274101	Drive Shaft (LYNX 40)	1

